

DRILLING AND DOWELLING STATION

DS



Window & door
manufacturers

Furniture & kitchen
producers

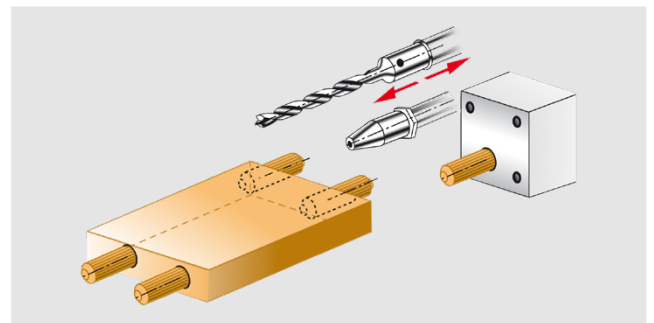


Watch on YouTube

THE IDEAL MACHINE FOR EVERY TYPE OF PRODUCTION



The Stegherr Drilling and Dowelling Station DS is employed for endside drilling and dowel insertion in the workpiece ends. The windows and door components are drilled program controlled, glued by means of a high-pressure glue system and the dowels pressed in. The Drilling and Dowelling Station DS has a color touchscreen monitor, for a simple operating both in the manual and in the online mode and for the alternate processing of the work-piece ends without any waste of time. Three servo controlled axes make it possible to drill in any position on the work piece.



THE FOLLOWING WORKING CYCLES ARE PROGRAM CONTROLLED

- Drilling (various drilling strokes possible)
- Glue injection with a 50 bar glue gun
- Dowel insertion

